

扫描二维码
关注松下服务官方微信平台



在线人工客服
一键报修报装
服务进度查询
获取新品咨询

Panasonic®

使用说明书 宠物智能饮水机

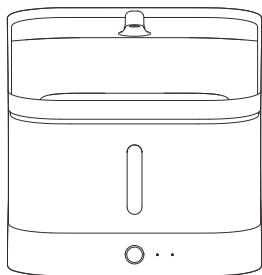
型号 CP-JNW04-W

执行标准：
GB4706.1-2005

目录

安全注意事项	2-3
部件名称	4
安装说明	5-8
使用方法	9
拆卸说明/水泵清洗说明	10
指示灯状态/故障排除	11-12
APP操作指引/配网	13-15
规格/装箱清单	16
保修证	封底

该使用说明书的最终解释权归本公司所有



衷心感谢您购买本公司的产品。

- 本说明书的插图形状、颜色可能与实物有所不同，请以购买的实物为准。
- 使用本产品前，请仔细阅读本使用说明书，以便正确操作，延长使用寿命。
- 特别是在使用前请务必仔细阅读【**安全注意事项**】（第2~3页）

内含保修证

安全注意事项

使用前请仔细阅读本产品说明书，一经安装或使用，即表示您已经仔细阅读并接受下列安全指导，由于违规操作而导致的任何意外及损失，本公司概不负责亦不承担任何法律责任。

警告

- 请勿用潮湿的手插拔电源适配器。
- 若本产品发生异常时，请立即停止使用本产品，并拔出电源适配器。
- 请在室内环境下使用并远离火源。
- 宠物撕咬电源适配器软线可能会引发漏电，请正确引导使用。
- 使用时请远离其他电器设备，防止意外水泼洒造成损坏。
- 产品含有小件部品，注意防止误吞。

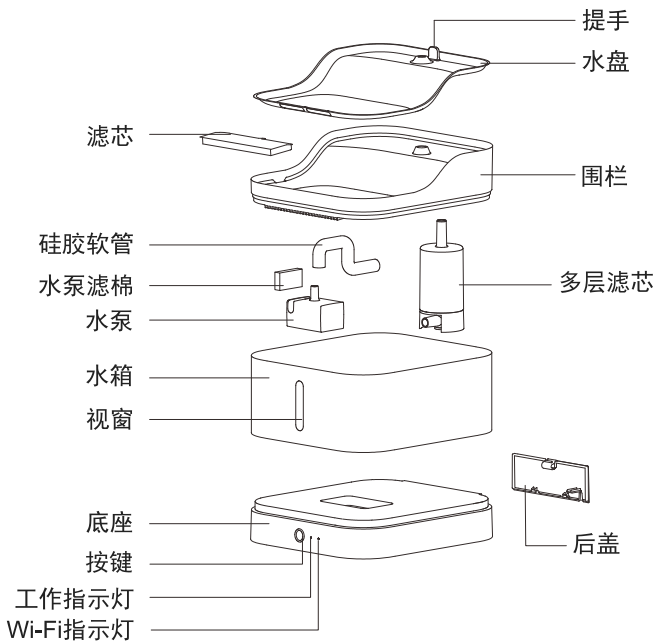
注意


- 请勿将本产品放置于高处，防止产品跌落造成产品损坏或宠物安全问题，同时为防止宠物扑倒该产品，建议放置角落或者靠墙处。
- 添加水量最低需没过最低水位线，最高切勿超过最大水位线。
- 保持水平放置，请勿打翻产品，否则会导致产品无法正常工作。
- 除底座、电源适配器不能水洗外，其他均可水洗。
- 如想停止使用，请先拔掉电源适配器，将水倒光后清洗并晾干后保存。
- 如有儿童使用此设备，请确保在成人引导下使用。
- 除维修人员外，其他人不得对本产品进行维修，以免造成各种意外伤害。
- 滤芯首次使用前，请先浸泡5分钟，让滤芯达到最好工作效果。
与水接触部件建议每周清洗一次，以保证最佳使用效果。

安全注意事项

- 本产品不适合供下列人士（包括孩童）使用：身体官能或心智能力退化者，或是经验与使用知识缺乏者，除非有负责他们安全的人员在旁监督或指导，方可使用。请注意避免让孩童戏玩本产品。（以免导致烧伤、受伤或触电）
- 如长期不使用本机，请取出所有电池，防止因电解液泄漏引起的潜在风险。
- 请勿混用新旧电池或同时使用不同类型的电池。
- 请勿拆卸电池或使其短路。
- 请勿对电池进行充电或使用外壳已脱落的电池。
- 请勿将电池加热或靠近火源。
- 电池使用不当会引起电解液泄漏，造成火灾。
- 干电池作为应急电源，为了保证续航时间，请务必使用满电电池。

部件名称



 * 电池盒

名称	型号
电池盒	CP-ANF02C1

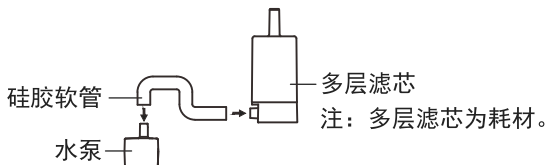
*(电池盒属于配件，需用户另行购买)

注意：①产品经出厂测试，部件上有少许水渍为正常现象。

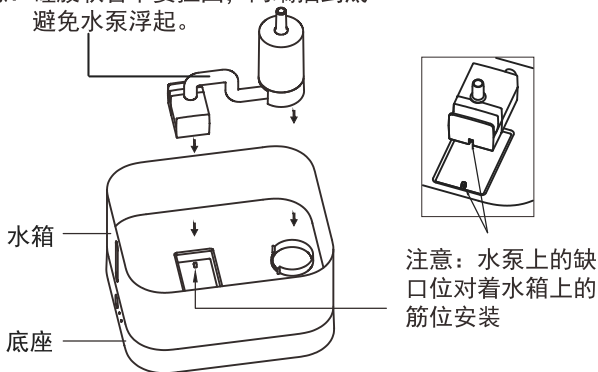
②电池盒及干电池需用户自行购买。长时间不用请将干电池从电池盒取出。请用户购买品质可靠的电池，以防电池电压不稳、电量不足或漏液对机器造成损害。

安装说明

1. 将硅胶软管与水泵和多层滤芯连接起来后，装入水箱固定位置上。

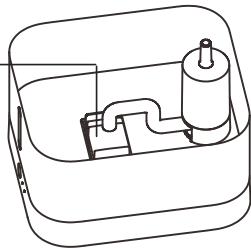


注意：硅胶软管不要扭曲，两端插到底
避免水泵浮起。



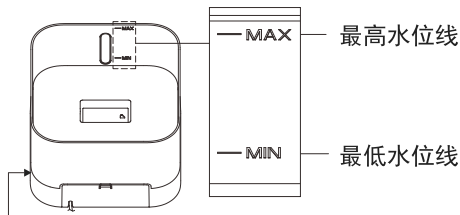
安装后状态

注意：确认水泵
没有浮起。



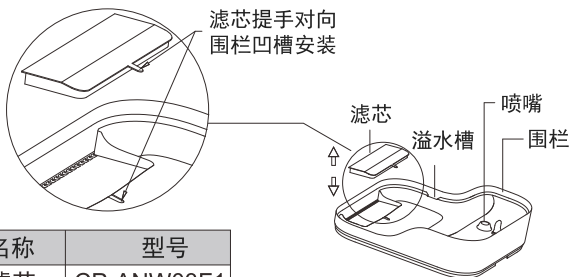
安装说明

2. 水箱加水时请将围栏组件取出后，用水壶接水直接倒入水箱，或单独拿起整个水箱装水，加水高度不能超过最高水位线，同时不可低于最低水位线，最后再安装到底座上。



- 注意：①水箱与底座请勿一起接水，避免底座涉水烧坏元器件。
②装满水的水箱安装时，与底座配合位置注意夹手。

3. 将滤芯装入围栏槽内。喷嘴有流水声音属于正常现象，当围栏左右两个溢水槽有流水声，请清洗滤芯或更换滤芯。



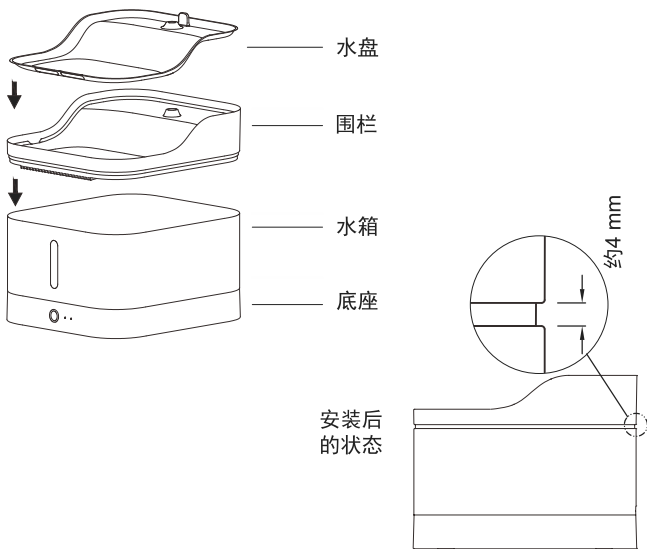
名称	型号
滤芯	CP-ANW03F1
多层滤芯	CP-ANW04F1

注：滤芯和多层滤芯均为耗材。

- 购买单卖品请前往松下官方店铺搜索购买。
- 使用周期：滤芯根据脏污程度，适时更换，或30天更换一次。多层滤芯出水高度过低时，请用清水清洗多层滤芯，若清洗后的出水高度仍然低，建议更换多层滤芯。

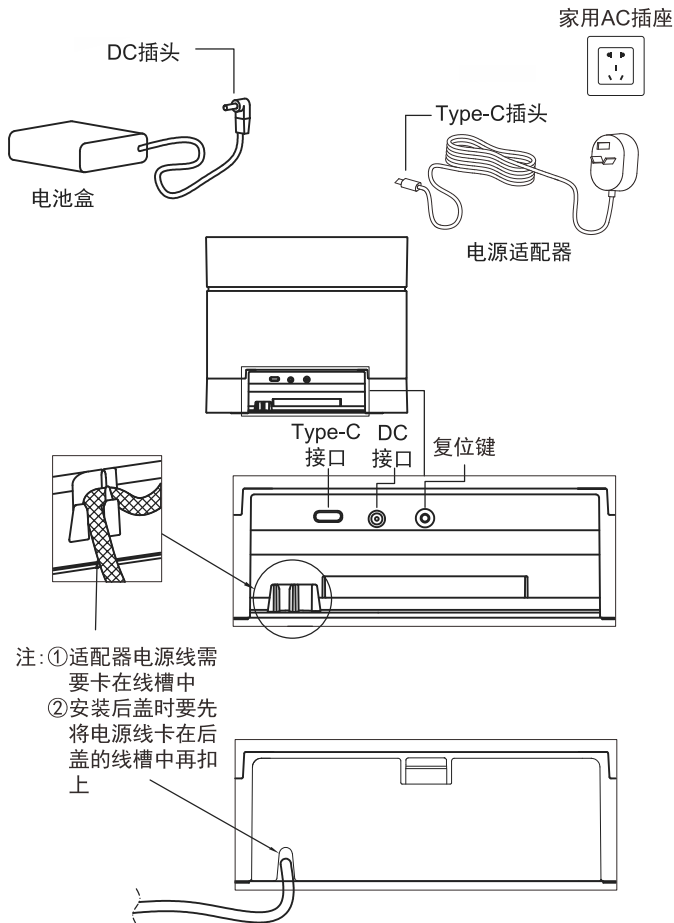
安装说明

4. 将水盘放入围栏上与围栏一起安装到水箱上。

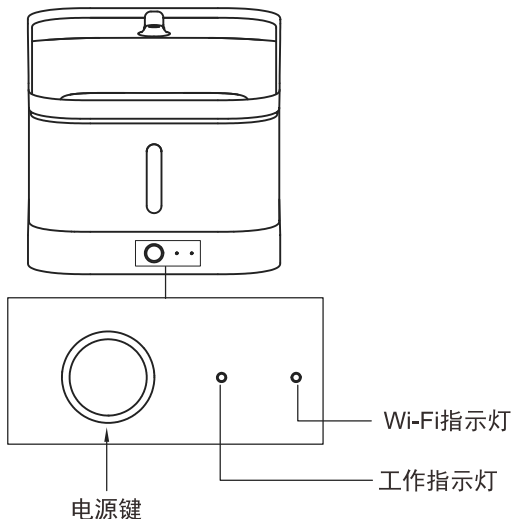


5. 正常使用时，取出电源适配器，打开机身后盖，按标识插入电源接口（Type-C接口）并接通电源。
为防止电源线被宠物或其他原因拉脱，请将电源线按以下示意图指示卡进线槽中。
停电或长时间外出时，打开机身后盖，将电池盒放入电池仓内，按标识插入电源接口。适配器无电时可自动转为电池供电，产品工作模式也自动转为电池模式。

安装说明



使用方法



电源键

- 短按开机，长按3秒关机
- 开机状态下，短按切换模式

间歇出水

间歇出水，蓝灯常亮



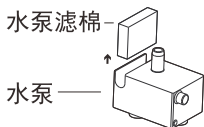
持续出水

持续出水，绿灯常亮

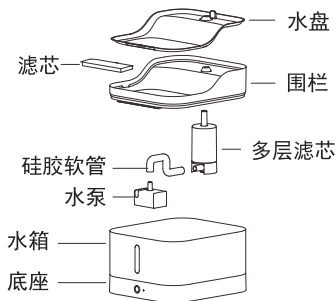
- 电源适配器供电时，间歇模式默认出水2分钟，停止10分钟。（支持APP内修改）
- 电池供电时，间歇模式出水30秒，停止14分钟30秒。
- 电池供电时，无法切换模式，仅间歇出水，出水时蓝灯常亮，不出水时蓝灯熄灭。

拆卸说明

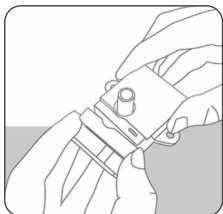
将围栏拿起，依次取下水盘、滤芯、多层滤芯、硅胶软管及水泵进行清洗。



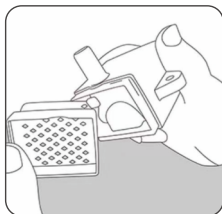
将水泵过滤棉拆出来清洗，安装时注意长边朝上全部塞入水泵固定槽中，过滤棉顶部与水泵顶部平齐。



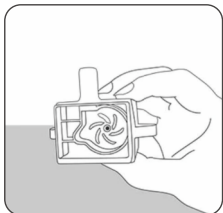
水泵清洗说明



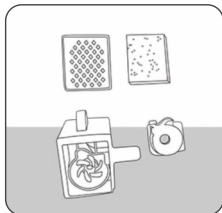
1. 沿缝隙扭开水泵顶盖



2. 借助顶盖撬开叶轮盖板



3. 取下叶轮



4. 仔细清洗各部件

注意：水泵建议约每周清洗一次。

指示灯状态/故障排除

Wi-Fi指示灯	工作状态
白灯常亮	已完成配网
白灯闪烁	等待配网
白灯熄灭	网络连接异常
工作指示灯	工作状态
绿灯常亮	持续出水模式，正常运行
蓝灯常亮	间歇出水模式，正常运行
红灯闪烁	缺水或水泵浮起
蓝灯闪烁	电池电量低，请更换电池
橙灯常亮	滤芯到期需要更换，更换完成后按键连接5下，橙灯闪烁3次后重置成功
电池供电时 停止出水期间	按电源键后绿灯闪烁三次后熄灭

故障描述	故障原因及对策
工作指示灯 红灯闪烁/ 水泵不出水	①水量不足，请加水没过水泵 ②无线水泵浮起、移动，请将水泵安装到位
工作指示灯 蓝灯闪烁	电池电量低，请打开电池盒，更换电池
工作指示灯 橙灯常亮	多层滤芯使用时间到期，请更换多层滤芯并重置多层滤芯计时 重置方法：10秒内连续按5次按键后，橙灯闪烁3次，多层滤芯计时复位完成，同时支持APP重置 (多层滤芯计时提醒默认为30天)

故障排除

Wi-Fi指示灯闪烁且无法配网	<ul style="list-style-type: none">①Wi-Fi密码不正确, 请输入正确密码②Wi-Fi频率非 2.4 GHz, 请将路由器频率设置为 2.4 GHz 后再尝试
Wi-Fi指示灯熄灭	<ul style="list-style-type: none">①机器未连外网, 请确保路由器正常连网②机器被配置于其他Wi-Fi网络, 请长按复位键5秒重置, Wi-Fi指示灯闪烁时可重新配网 (重置后: 间歇出水时间、夜间模式、多层滤芯/普通滤芯/清洗剩余天数恢复到出厂设置, 配网数据清除)
机器出水量小或不出水	<ul style="list-style-type: none">①水泵浮起、错位, 请正确安装水泵②水箱未安装到位, 请正确安装水箱③水泵滤棉堵塞, 请清洁或更换水泵滤棉④水泵叶轮卡死, 请清理水泵叶轮⑤水箱水低于最低水位线, 请加水⑥水路困气, 请将连接水泵的水管拆开, 水泵出水后, 再重新连接⑦多层滤芯堵塞, 请更换多层滤芯
异常音	<ul style="list-style-type: none">①下水口堵塞, 水从溢水槽下水, 请清洗或更换滤芯②水少时出水会夹杂气泡, 产生异常音, 请往水箱内加水③出水口涌泉声, 模拟自然出水声, 吸引宠物喝水, 属于正常现象 若在意水声影响休息, 可将设备远离休息处, 或夜间关闭使用

如果按以上方法还不能解决, 请联系Panasonic客户咨询服务中心。

PP连接及使用

建议使用安卓系统 5.0 版本以上或 iOS 系统 iOS10.0 版本以上，或鸿蒙系统 Next 版本以下，蓝牙版本为 5.0 以上的手机。因软件版本、手机型号等不同，操作界面可能也有所不同，请以实际界面为准。

本产品无法连接无需密码验证的无线局域网 (WLAN)。(不建议使用公共网络)

绑定本产品时，需确保手机与产品连接为同一个网络 (网络仅支持 2.4GHz，不支持 5GHz)，否则将无法成功配网。

无线局域网 (WLAN) 名称或密码更改后，本产品需重新添加、配网。

围环境可能影响无线网络性能，而导致无法正常工作的情况。

多个用户遥控同一台智能饮水机时，需要在 APP 上先共享设备。

维修、废弃、转让本产品等时，请确保已重置无线局域网 (WLAN) 信息，并恢复产品出厂时的设定。

固件自动升级：仅限于 Wi-Fi 模块和 APP。

装登录

安卓系统及鸿蒙系统 (Next 版本以下) 扫描右侧二维码，按操作指引进行安装、登录 APP。
iOS 系统通过 APP Store 中检索“松下萌宠”进行获取安装或扫描右侧二维码，按操作指引进行安装、登录 APP。



说明书中手机界面示意图仅做位置示意，根据手机客户端的更新，功能会有所调整，具体以客户端实际界面为准。

配网准备

- 1 确认手机处于连接 Wi-Fi 状态，并开启蓝牙，位置信息。
- 2 机器连接电源，开机 Wi-Fi 指示灯闪烁，此时进入配网模式。
- 3 配网异常以及需要重新配网时，长按产品后下部电池仓中的 Reset 复位键 5 秒进行重置复位。

自动配网

- 1 方式一：APP 自动搜索到机器，并弹出设备窗口，如右图，点击搜索到的机器图标，输入手机连接的 Wi-Fi 名称及密码进行配网。



方式二：首页点击“添加设备”或点击右上角“+”选择添加设备。



- 2 选择检索出的产品，输入 Wi-Fi 名称及密码进行配网。
- 3 配网成功后机器 Wi-Fi 指示灯常亮。

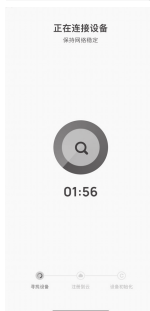
* 由于 APP 的升级和更新，实际操作可能与以上描述略有差异，请按照 APP 内指引进行操作。

手动配网(蓝牙配网或Wi-Fi快连)

1 方式一：扫描右侧二维码，按显示步骤确认状态，进行配网。

2 方式二：首页点击“添加设备”或点击右上角“+”选择添加设备。

选择手动添加列表中对应产品，按显示步骤确认状态，进行配网（蓝牙连接失败可尝试右上角切换为 Wi-Fi 快连）。



3 配网成功后机器 Wi-Fi 指示灯常亮。

规格

型号	CP-JNW04-W		
额定容量	3 L		
产品尺寸	约 206 x 232 x 180 (mm)		
产品重量	约 1.5 kg		
电源适配器	输入	100-240 V~ 50/60 Hz	
	输出	5 V= 1 A	

装箱清单

宠物智能饮水机	电源适配器	水泵 (带水泵滤棉)	说明书
1台	1个	1个	1本
水盘	滤芯	多层滤芯	硅胶软管
1个	1个	1个	1个

可根据产品上的生产编号查看其生产日期

示例 *****240101*****：表示该产品2024年1月1日生产
└───┬───┘
生产日期（生产编号倒数第6-11位）

产品中有害物质的名称及含量

部件名称	有害物质					
	铅 (Pb)	汞 (Hg)	镉 (Cd)	六价铬 (Cr(VI))	多溴联苯 (PBB)	多溴二苯醚 (PBDE)
水盘	○	○	○	○	○	○
过滤组件	○	○	○	○	○	○
水泵	○	○	○	○	○	○
连接管	○	○	○	○	○	○
水箱	○	○	○	○	○	○
底座	○	○	○	○	○	○
电路板组件	×	○	○	○	○	○
电源适配器	×	○	○	○	○	○

本表格依据 SJ/T 11364 的规定编制。

○：表示该有害物质在该部件所有均质材料中的含量均在 GB/T 26572 规定的限量要求以下。

×：表示该有害物质至少在该部件的某一均质材料中的含量超出 GB/T 26572 规定的限量要求。

注：表中标有“×”的所有部件都符合欧盟 RoHS 指令，因全球技术发展水平限制而无法实现有害物质的替代。

松下家电(中国)有限公司

地址：浙江省杭州市钱塘区松乔街2号

邮政编码：310018

原产地：中国

Panasonic 客户咨询服务中心：4008 - 811 - 315

Panasonic 官方网站：<https://panasonic.cn>

© Panasonic Appliances (China) Co.,Ltd. 2024

中国印刷

1402010955 10924-0

发行：2024年9月

保修证

保修条款

有关保修期内Panasonic商品的保修(无偿修理), 保修期起算日按相关法律法规规定执行。

1. 保修期内的商品只可在Panasonic认定服务店进行保修; 保修时, 请出示本保修证及产品交付凭证或Panasonic认定服务店安装凭证或法律法规要求的凭证。

以下三点需特别注意:

- 本保修证遗失后不再补发, 请妥善保管;
 - 本保修证仅限于中华人民共和国国内有效(香港、澳门、台湾三地区暂不可使用);
 - 无法提供上述任一凭证, 则按【购机凭证上交易日期】或【商品制造日期+3个月】起开始实施保修。
2. 自上述日期之日起在以下期间内, 在正常使用中发生故障的情况下进行保修。

- 整机[2]年内无偿;
- 主要部件[水泵、电路板组件、电源适配器]2年内无偿;
- 附件[滤芯、多层滤芯]有偿提供。

3. 属下列情况之一者, 即使在保修期内, 也不能以保修对待, 但是可以实行收费修理:

- 未按商品使用说明书要求使用、维护、保管而造成损坏的;
 - 因不正确操作、电源不正常、破损(如: 摔落等)而造成损坏的;
 - 不经Panasonic认定服务店维修人员拆动造成损坏的;
 - 不能出示本保修证及相关法律法规要求的凭证的;
 - 保修证上记录的信息与商品实物标识不符或者涂改的;
 - 因不可抗力因素(如雷电、地震、火灾、水灾等)造成损坏的。
4. 本保修条款只适用于消费者个人为生活消费需要而购买使用的场合, 不适用于经营性等使用。

【商品信息】

商品名称: 宠物智能饮水机 产地: 中国

商品型号: CP-JNW04-W 机器编号: _____

Panasonic客户咨询服务中心: 4008 - 811 - 315

Panasonic官方网站: <https://panasonic.cn>

松下家电(中国)有限公司

软件著作权相关

本产品中包含以下软件：

- (1) Panasonic Corporation 及其关联公司(以下称“松下”)独立开发的软件；
- (2) 由第三方持有授权给松下的软件；
- (3) 开源软件

上述(3)软件虽是期待它单体有效而发布，但不进行任何保证，包括但不限于对“适销性”及“针对特定目的的适用性”的暗示保证。开源软件许可的种类由相应权利人选择。开源软件的使用条件以其许可信息为准。

本产品自发售起至少 3 年内，您可以通过咨询窗口获取需履行公开开源代码义务的开源软件完整且能机械读取的源代码和各自的版权声明。若发生必要的费用（例如资料制作费），松下会向您收取。

咨询窗口：oss-request@cn.panasonic.com

MIT

Copyright (C) 2017 Amazon.com, Inc. or its affiliates.

Copyright (c) 2009 Dave Gamble

All rights reserved.

Permission is hereby granted, free of charge, to any person obtaining a copy of this software and associated documentation files (the "Software"), to deal

in the Software without restriction, including without limitation the rights to use, copy, modify, merge, publish, distribute, sublicense, and/or sell copies of the Software, and to permit persons to whom the Software is furnished to do so, subject to the following conditions:

The above copyright notice and this permission notice shall be included in all copies or substantial portions of the Software.

THE SOFTWARE IS PROVIDED "AS IS", WITHOUT WARRANTY OF ANY KIND, EXPRESS OR IMPLIED, INCLUDING BUT NOT LIMITED TO THE WARRANTIES OF MERCHANTABILITY, FITNESS FOR A PARTICULAR PURPOSE AND NONINFRINGEMENT. IN NO EVENT SHALL THE AUTHORS OR COPYRIGHT HOLDERS BE LIABLE FOR ANY CLAIM, DAMAGES OR OTHER LIABILITY, WHETHER IN AN ACTION OF CONTRACT, TORT OR OTHERWISE, ARISING FROM, OUT OF OR IN CONNECTION WITH THE SOFTWARE OR THE USE OR OTHER DEALINGS IN THE SOFTWARE.

BSD3-Clause

Copyright (c) 2001, 2002 Swedish Institute of Computer Science.
All rights reserved.

Redistribution and use in source and binary forms, with or without modification, are permitted provided that the following conditions are met:

1. Redistributions of source code must retain the above copyright notice, this list of conditions and the following disclaimer.

2. Redistributions in binary form must reproduce the above copyright notice, this list of conditions and the following disclaimer in the documentation and/or other materials provided with the distribution.

3. The name of the author may not be used to endorse or promote products derived from this software without specific prior written permission.

THIS SOFTWARE IS PROVIDED BY THE AUTHOR ``AS IS'' AND ANY EXPRESS OR IMPLIED WARRANTIES, INCLUDING, BUT NOT LIMITED TO, THE IMPLIED WARRANTIES OF MERCHANTABILITY AND FITNESS FOR A PARTICULAR PURPOSE ARE DISCLAIMED. IN NO EVENT SHALL THE AUTHOR BE LIABLE FOR ANY DIRECT, INDIRECT, INCIDENTAL, SPECIAL, EXEMPLARY, OR CONSEQUENTIAL DAMAGES (INCLUDING, BUT NOT LIMITED TO, PROCUREMENT OF SUBSTITUTE GOODS OR SERVICES; LOSS OF USE, DATA, OR PROFITS; OR BUSINESS INTERRUPTION) HOWEVER CAUSED AND ON ANY THEORY OF LIABILITY, WHETHER IN CONTRACT, STRICT LIABILITY, OR TORT (INCLUDING NEGLIGENCE OR OTHERWISE) ARISING IN ANY WAY OUT OF THE USE OF THIS SOFTWARE, EVEN IF ADVISED OF THE POSSIBILITY OF SUCH DAMAGE.

Apache License

Version 2.0, January 2004

<http://www.apache.org/licenses/>

TERMS AND CONDITIONS FOR USE, REPRODUCTION, AND DISTRIBUTION

1. Definitions.

"License" shall mean the terms and conditions for use, reproduction, and distribution as defined by Sections 1 through 9 of this document.

"Licensor" shall mean the copyright owner or entity authorized by the copyright owner that is granting the License.

"Legal Entity" shall mean the union of the acting entity and all other entities that control, are controlled by, or are under common control with that entity. For the purposes of this definition, "control" means (i) the power, direct or indirect, to cause the direction or management of such entity, whether by contract or otherwise, or (ii) ownership of fifty percent (50%) or more of the outstanding shares, or (iii) beneficial ownership of such entity.

"You" (or "Your") shall mean an individual or Legal Entity exercising permissions granted by this License.

"Source" form shall mean the preferred form for making modifications, including but not limited to software source code, documentation source, and configuration files.

"Object" form shall mean any form resulting from mechanical transformation or translation of a Source form, including but

not limited to compiled object code, generated documentation, and conversions to other media types.

"Work" shall mean the work of authorship, whether in Source or Object form, made available under the License, as indicated by a copyright notice that is included in or attached to the work (an example is provided in the Appendix below).

"Derivative Works" shall mean any work, whether in Source or Object form, that is based on (or derived from) the Work and for which the editorial revisions, annotations, elaborations, or other modifications represent, as a whole, an original work of authorship. For the purposes of this License, Derivative Works shall not include works that remain separable from, or merely link (or bind by name) to the interfaces of, the Work and Derivative Works thereof.

"Contribution" shall mean any work of authorship, including the original version of the Work and any modifications or additions to that Work or Derivative Works thereof, that is intentionally submitted to Licensor for inclusion in the Work by the copyright owner or by an individual or Legal Entity authorized to submit on behalf of the copyright owner. For the purposes of this definition, "submitted" means any form of electronic, verbal, or written communication sent to the Licensor or its representatives, including but not limited to communication on electronic mailing lists, source code control systems,

and issue tracking systems that are managed by, or on behalf of, the Licensor for the purpose of discussing and improving the Work, but excluding communication that is conspicuously marked or otherwise designated in writing by the copyright owner as "Not a Contribution."

"Contributor" shall mean Licensor and any individual or Legal Entity on behalf of whom a Contribution has been received by Licensor and subsequently incorporated within the Work.

2. Grant of Copyright License. Subject to the terms and conditions of this License, each Contributor hereby grants to You a perpetual, worldwide, non-exclusive, no-charge, royalty-free, irrevocable copyright license to reproduce, prepare Derivative Works of, publicly display, publicly perform, sublicense, and distribute the Work and such Derivative Works in Source or Object form.
3. Grant of Patent License. Subject to the terms and conditions of this License, each Contributor hereby grants to You a perpetual, worldwide, non-exclusive, no-charge, royalty-free, irrevocable (except as stated in this section) patent license to make, have made, use, offer to sell, sell, import, and otherwise transfer the Work, where such license applies only to those patent claims licensable by such Contributor that are necessarily infringed by their Contribution(s) alone or by combination of their Contribution(s) with the Work to which such Contribution(s) was submitted. If You institute patent litigation against any entity (including a

cross-claim or counterclaim in a lawsuit) alleging that the Work or a Contribution incorporated within the Work constitutes direct or contributory patent infringement, then any patent licenses granted to You under this License for that Work shall terminate as of the date such litigation is filed.

4. Redistribution. You may reproduce and distribute copies of the Work or Derivative Works thereof in any medium, with or without modifications, and in Source or Object form, provided that You meet the following conditions:
 - (a) You must give any other recipients of the Work or Derivative Works a copy of this License; and
 - (b) You must cause any modified files to carry prominent notices stating that You changed the files; and
 - (c) You must retain, in the Source form of any Derivative Works that You distribute, all copyright, patent, trademark, and attribution notices from the Source form of the Work, excluding those notices that do not pertain to any part of the Derivative Works; and
 - (d) If the Work includes a "NOTICE" text file as part of its distribution, then any Derivative Works that You distribute must include a readable copy of the attribution notices contained

within such NOTICE file, excluding those notices that do not pertain to any part of the Derivative Works, in at least one of the following places: within a NOTICE text file distributed as part of the Derivative Works; within the Source form or documentation, if provided along with the Derivative Works; or, within a display generated by the Derivative Works, if and wherever such third-party notices normally appear. The contents of the NOTICE file are for informational purposes only and do not modify the License. You may add Your own attribution notices within Derivative Works that You distribute, alongside or as an addendum to the NOTICE text from the Work, provided that such additional attribution notices cannot be construed as modifying the License.

You may add Your own copyright statement to Your modifications and may provide additional or different license terms and conditions for use, reproduction, or distribution of Your modifications, or for any such Derivative Works as a whole, provided Your use, reproduction, and distribution of the Work otherwise complies with the conditions stated in this License.

5. Submission of Contributions. Unless You explicitly state otherwise, any Contribution intentionally submitted for inclusion in the Work by You to the Licensor shall be under the terms and conditions of this License, without any additional terms or conditions. Notwithstanding the above, nothing herein shall supersede or modify

the terms of any separate license agreement you may have executed with Licensor regarding such Contributions.

6. Trademarks. This License does not grant permission to use the trade names, trademarks, service marks, or product names of the Licensor, except as required for reasonable and customary use in describing the origin of the Work and reproducing the content of the NOTICE file.

7. Disclaimer of Warranty. Unless required by applicable law or agreed to in writing, Licensor provides the Work (and each Contributor provides its Contributions) on an "AS IS" BASIS, WITHOUT WARRANTIES OR CONDITIONS OF ANY KIND, either express or implied, including, without limitation, any warranties or conditions of TITLE, NON-INFRINGEMENT, MERCHANTABILITY, or FITNESS FOR A PARTICULAR PURPOSE. You are solely responsible for determining the appropriateness of using or redistributing the Work and assume any risks associated with Your exercise of permissions under this License.

8. Limitation of Liability. In no event and under no legal theory, whether in tort (including negligence), contract, or otherwise, unless required by applicable law (such as deliberate and grossly negligent acts) or agreed to in writing, shall any Contributor be liable to You for damages, including any direct, indirect, special, incidental, or consequential damages of any character arising as a result of this License or out of the use or inability to use the Work (including but not limited to damages for loss of goodwill,

work stoppage, computer failure or malfunction, or any and all other commercial damages or losses), even if such Contributor has been advised of the possibility of such damages.

9. Accepting Warranty or Additional Liability. While redistributing the Work or Derivative Works thereof, You may choose to offer, and charge a fee for, acceptance of support, warranty, indemnity, or other liability obligations and/or rights consistent with this License. However, in accepting such obligations, You may act only on Your own behalf and on Your sole responsibility, not on behalf of any other Contributor, and only if You agree to indemnify, defend, and hold each Contributor harmless for any liability incurred by, or claims asserted against, such Contributor by reason of your accepting any such warranty or additional liability.

END OF TERMS AND CONDITIONS

APPENDIX: How to apply the Apache License to your work.

To apply the Apache License to your work, attach the following boilerplate notice, with the fields enclosed by brackets "[]" replaced with your own identifying information. (Don't include the brackets!) The text should be enclosed in the appropriate comment syntax for the file format. We also recommend that a file or class name and description of purpose be included on the same "printed page" as the copyright notice for easier

identification within third-party archives.

Copyright [yyyy] [name of copyright owner]

Licensed under the Apache License, Version 2.0 (the "License");
you may not use this file except in compliance with the License.

You may obtain a copy of the License at

<http://www.apache.org/licenses/LICENSE-2.0>

Unless required by applicable law or agreed to in writing, software
distributed under the License is distributed on an "AS IS" BASIS,
WITHOUT WARRANTIES OR CONDITIONS OF ANY KIND, either express or
implied.

See the License for the specific language governing permissions and
limitations under the License.